



KITS



PUMPS



METERS



METERED NOZZLES



NOZZLES



WASTE OIL EQUIPMENTS

EASY OIL

FEATURES

- BALANCED VALVE
- LIGHT PRESSURE LEVER
- ERGONOMIC GRAB
- BUILT-IN FILTER
- BUILT-IN LEVER LOCK
- COLOUR CODE SWIVEL

The PIUSI EASY OIL is a manual nozzle suitable for the delivery of a wide range of oils. Its ergonomic design and low weight make this nozzle unique in the market.



PERFORMANCE

UP TO

30 L/MIN

FLOW RATE

70 BAR

OPERATING PRESSURE



EASY OIL WITH FLEXIBLE SPOUT



with rigid spout



with rotating spout



without spout

PACKAGING

CODE	WEIGHT		PACKAGING			
	KG	LBS	MM	INCH	PCS/PALLET	PCS/BOX
FOO96600A	0,45	1	203X320X88	8X12,6X3,5		1
FOO966130	1,2	2,6	203X320X88	8X12,6X3,5		1
FOO966140	1,2	2,6	203X320X88	8X12,6X3,5		1



FILTRATION



FLUID MONITORING



TANK MONITORING



HOSE REELS



ACCESSORIES



MERCHANDISE



AIR



ANTIFREEZE



AdBlue®



BIODIESEL



DIESEL



FOOD



GASOLINE



GREASE



KEROSENE



OIL

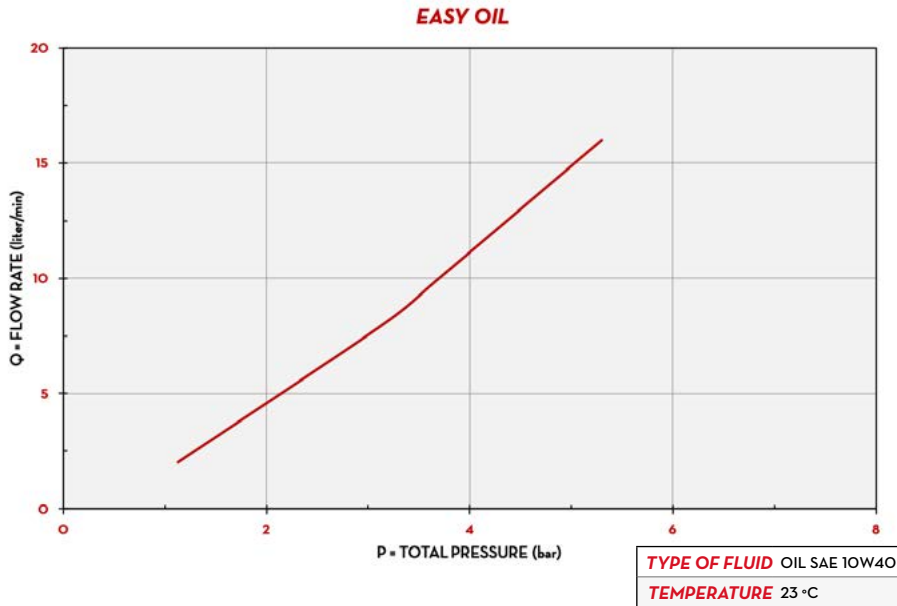


WATER



WINDSCREEN

CHART



IN THE BOX

- EASY OIL NOZZLE
- INSTRUCTION MANUAL

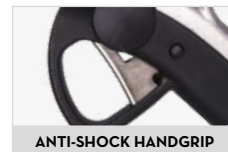
DETAILS



1/2" OUTLET



SWIVEL 1/2 BSP



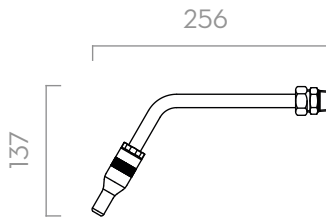
ANTI-SHOCK HANDGRIP

MATERIALS

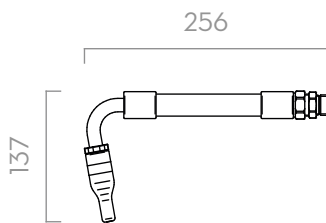
- BODY: ALLUMINIUM
- VALVE: NBR, NICKEL PLATED STEEL, BRASS

DIMENSIONS

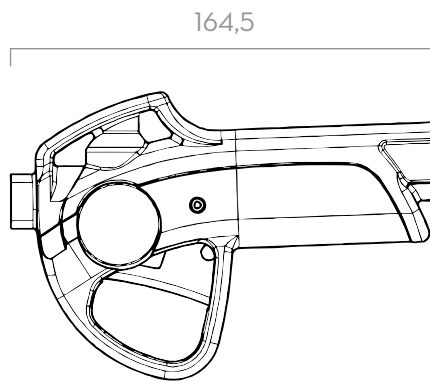
RIGID SPOUT



FLEXIBLE SPOUT



EASY OIL NOZZLE SIDE



Dimensions expressed in millimeters

TECHNICAL DATA

CODE	DESCRIPTION	FLUIDS TYPE	FLOW RATE		WORKING PRESSURE		SPOUT			OUTLET	INLET
			L/MIN	GPM	BAR	PSI	ROTATING	RIGID	FLEXIBLE		
FO096600A	EASY OIL .75" BSP W/O SPOUT		1 - 30	0,26 - 7,8	70	994	-	-	-	1/2" BSP	1/2" BSP
FO0966130	EASY OIL .75" BSP W/RIGID SPOU - AUT VALV		1 - 30	0,26 - 7,8	70	994	-	YES	-	1/2" BSP	1/2" BSP
FO0966140	EASY OIL .75" BSP W/FLEX SPOUT - AUT VALV		1 - 30	0,26 - 7,8	70	994	-	-	YES	1/2" BSP	1/2" BSP

NPT VERSION AVAILABLE