



KITS



PUMPS



METERS



METERED NOZZLES



NOZZLES



WASTE OIL EQUIPMENTS

# MA 180

## FEATURES

- IN/OUT SWAPPABLE
- BUILT-IN DIFFUSER
- SUITABLE FOR IMMERSED INSTALLATION
- HEAVY DUTY
- EXPLOSION PROOF (EX ZONE 2)
- EASY TO FIT
- STURDY DESIGN

The PIUSI MA 180 is a long life pneumatic diaphragm pump suitable for transferring high viscosity fluids and waste oils. The small size of this pump allows a wide range of possible installations.

### PERFORMANCE

UP TO <b>150 L/MIN</b>	MAX <b>7 BAR</b>
FLOW RATE	AIR PRESSURE
<b>5M</b> MAX CAPACITY	MAX <b>Ø 4MM</b>
SELF PRIMING	PASSING SOLID



MA 180



### PACKAGING

CODE	WEIGHT		PACKAGING			
	KG	LBS	MM	INCH	PCS/PALLET	PCS/BOX
FOO208A10	8,2	18,1	270X390X400	10,6X15,4X15,7	-	1



FILTRATION



FLUID MONITORING



TANK MONITORING



HOSE REELS



ACCESSORIES



MERCHANDISE



AIR



ANTIFREEZE



AdBlue®



BIODIESEL



DIESEL



FOOD



GASOLINE



GREASE



KEROSENE



OIL

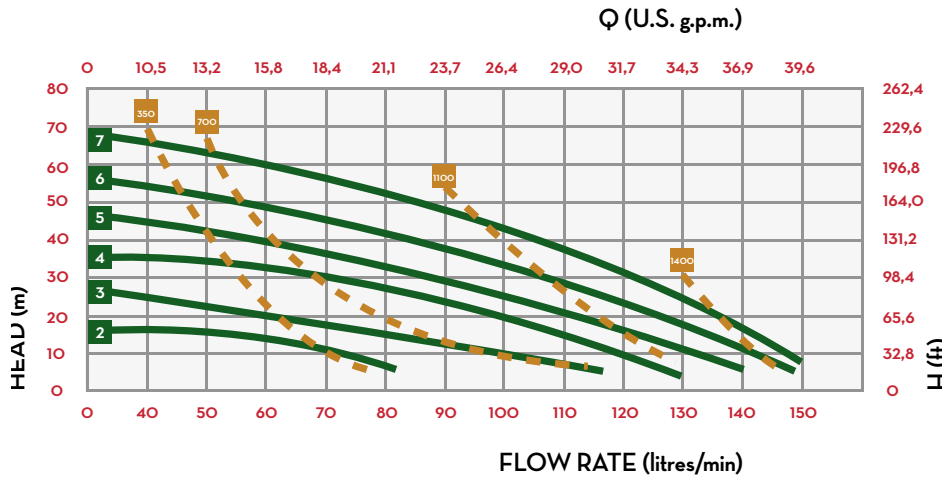


WATER



WINDSCREEN

### CHART



### IN THE BOX

- MA 180 PUMP
- INSTRUCTION MANUAL

### DETAILS



HEAVY DUTY MATERIALS

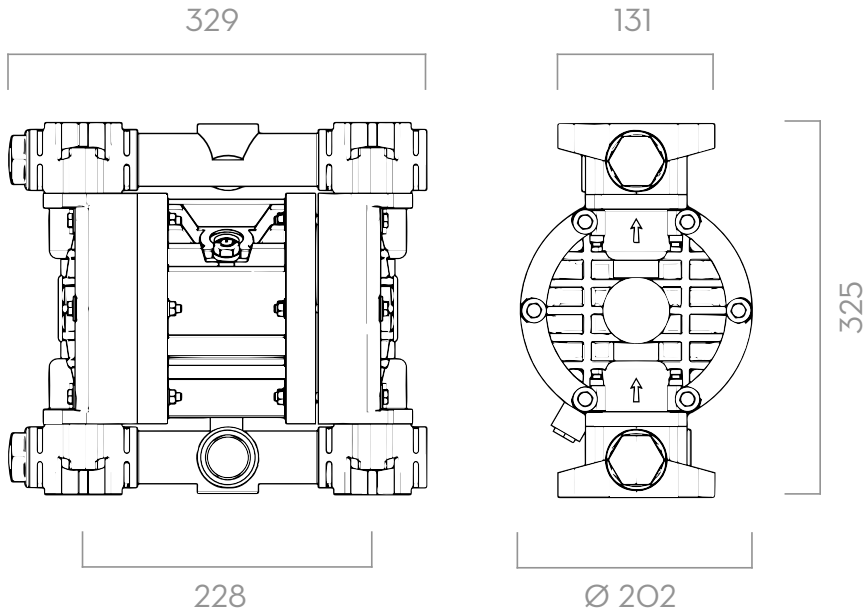


TECHNOPOLYMER BODY



STURDY DESIGN

### DIMENSIONS



Dimensions expressed in millimeters

### MATERIALS

- BODY: TECHNOPOLYMER
- FITTINGS: ALLUMINIUM
- DIAPHRAGMS: TECHNOPOLYMER

### TECHNICAL DATA

CODE	DESCRIPTION	FLUIDS TYPE	PUMP BODY	IN / OUT	FLOW RATE L/MIN	MEMBRANE TYPE	DIAPHRAGM	BALLS	BALL SEATS*	O-RING*	INTAKE / DELIVERY CONNECTION	AIR CON-NECTION	MAX SELF-PRIMING CAPACITY	MAX HEAD**	MAX AIR SUP-PLY PRESSURE	MAX Ø OF PASSING SOLID
													M	M	BAR	MM
FOO208A10	PIUSI MA 180		ALLUMINIUM	1" G	150	SINGLE	NBR	NBR	PPS-V	NBR	G 1" F	G 3/8" F	5	70	7	4

(\*) ON REQUEST WE CAN PROVIDE MEMBRANES, BALLS, BALL SEATS AND O-RINGS IN DIFFERENT MATERIALS.  
 (\*\*) THE VALUE DEPENDS ON THE CONFIGURATION OF THE PUMP