



CAR FILLING



FUEL MANAGEMENT SYSTEMS



KITS



PUMPS



METERS



METERED NOZZLES

OCIO

FEATURES

- **READY TO USE**
- **BUILT-IN DISPLAY**
- **STAINLESS STEEL PROBE**

OCIO is the PIUSI's tank level indicator specifically designed for AdBlue® thanks to its stainless steel probe. It gives a real time indication of the fluid quantity inside the tank.

PERFORMANCE

UP TO

4MT

HEIGHT

TANK

±1%

FULL SCALE

ACCURACY

UP TO

50 MT

LENGTH

PROBE TUBE



OCIO



10 METERS HOSE



STAINLESS STEEL PROBE

PACKAGING

CODE	WEIGHT		PACKAGING		
	KG	LBS	MM	INCH	PCS/BOX
FO0755140	2,2	4,8	300X410X100	11,8X16,1X3,9	1



NOZZLES



FILTRATION



TANK MONITORING



HOSE REEL



ACCESSORIES



MERCHANDISE



AIR



ANTIFREEZE



AdBlue®



BIODIESEL



DIESEL



FOOD



GASOLINE



GREASE



KEROSENE



OIL

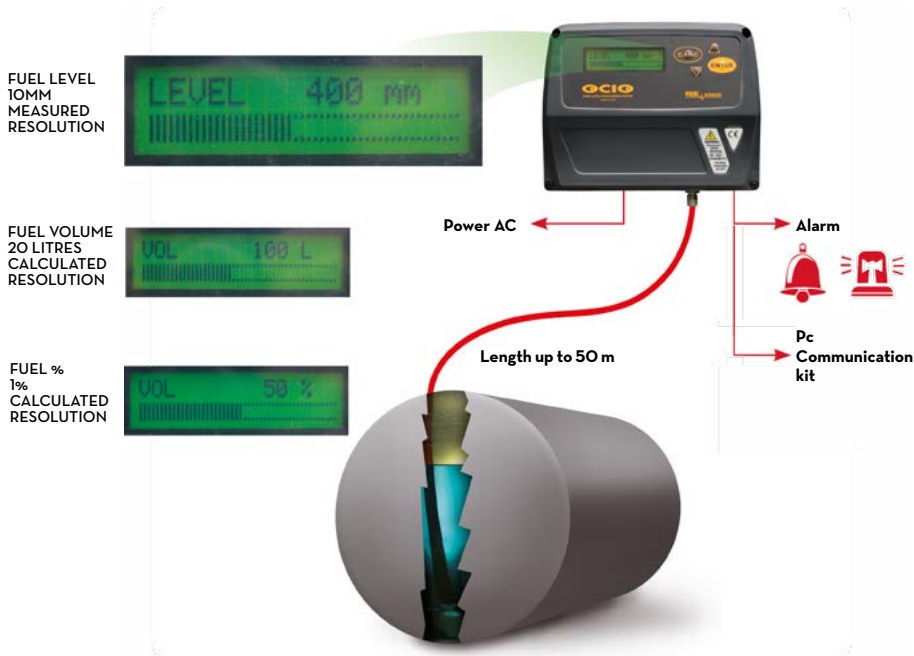


WATER



WINDSCREEN

FUNCTIONING



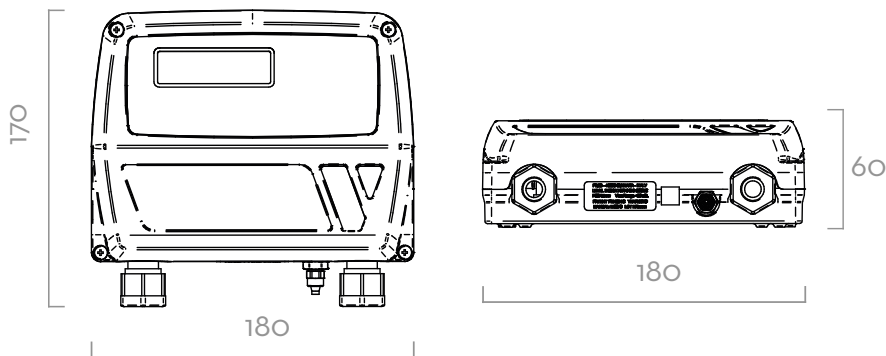
IN THE BOX

- OCIO UNIT
- PROBE
- 10 MT TUBE
- INSTRUCTION MANUAL

DETAILS



DIMENSIONS



Dimensions expressed in millimeters

MATERIALS

- PROBE: STAINLESS STEEL
- TUBE: TECHNOPOLYMER

TECHNICAL DATA

CODE	DESCRIPTION	FLUIDS TYPE	VOLTAGE	
			AC V/Hz	POWER WATT
FO0755140	LEVEL IND.OCIO LV230V 50/60 - ADBLUE	A B D O W W	230/50	20